

VOLANT PRO-H

Hybrid On & Off Grid Energy Storage Inverter

- 4KW
- 6KW



On-Grid and Off-Grid
VOLANT PRO-H inverters series is suitable for on-grid and off-grid applications.



Remote Monitoring
Control and monitor your smart system on the move via our monitoring App and website



BMS
BMS Communication for lithium battery



Easy access
Accessible through LCD touch screen and through the web. Two outputs for smart load management



Safe
Built-in anti-dust kit for harsh environment *AC overcurrent, AC overvoltage, over temperature*



Flexible Rate Tariff
Charge from the grid at off-peak time when energy is cheaper and discharge at peak time

Product characteristics

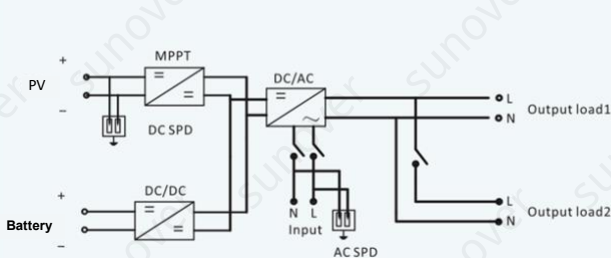


- A: AC OUTPUT
- B: AC INPUT
- C: COM
- D: PV INPUT
- E: ON/OFF
- F: DC INPUT
- G: PARALLEL CONNECTION

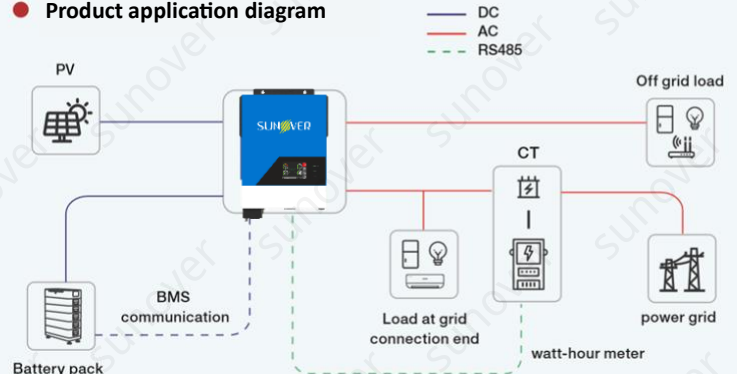


LCD touch screen

Circuit block diagram



Product application diagram



Datasheet

Model	VOLANT PRO-H 4KW	VOLANT PRO-H 6KW
Rated power	4000W	6000W
AC Input		
AC voltage	220/230/240VAC	
Voltage Range	170~280VAC (For Personal Computers);90~280VAC (For Home Appliances)	
Frequency Range	50Hz/60Hz(Auto sensing)	
AC Output		
Surge power	8000W	12000W
Voltage regulation(Batt Mode)	230VAC±5%	
Rated frequency	50/60Hz	
Efficiency(Peak)	93.5%	
Automatic switching time	10ms (For Personal Computers);20ms (For Home Appliances);	
SOLAR & AC CHARGER		
Maximum PV Array Open voltage(V)	500VDC	
Maximum PV Array power	5000W	7000W
MPPT voltage range(V)	60~500VDC	
Maximum input current	27A	
MPPT tracker/strings	1	
Maximum solar charge current	120A	
Maximum AC charge current	100A	
Maximum charge current	120A	
Battery		
Battery		
Battery voltage	24VDC	48VDC
Floating Charge voltage	27VDC	54VDC
Overcharge Protection	33VDC	63VDC
Battery type	lithium /Lead-acid	
Protection& Feature		
AC overcurrent,	Yes	
AC overvoltage	Yes	
Over-heat protection	Yes	
Smart load management	Yes	
Generator port	No	
Smart load management	Yes	
Parallel function	Yes, 6 units	
CT Anti-backflow function	Yes (Optional)	
General Parameter		
Operation temperature	- 10°C~ 50°C	
Relative humidity	0~95% (non-condensing)	
Altitude 2,000m	(>2,000 Derating)	
Dimensions D x W x H (mm)	470x320x125	
Weight (kg)	8.8	9
Display and communication		
Display	Touch LCD	
Interface	Standard:RS485,CAN; Optional: WIFI ,Bluetooth	
Safety standard	EN/IEC 62109-1, EN/IEC 62109-2	